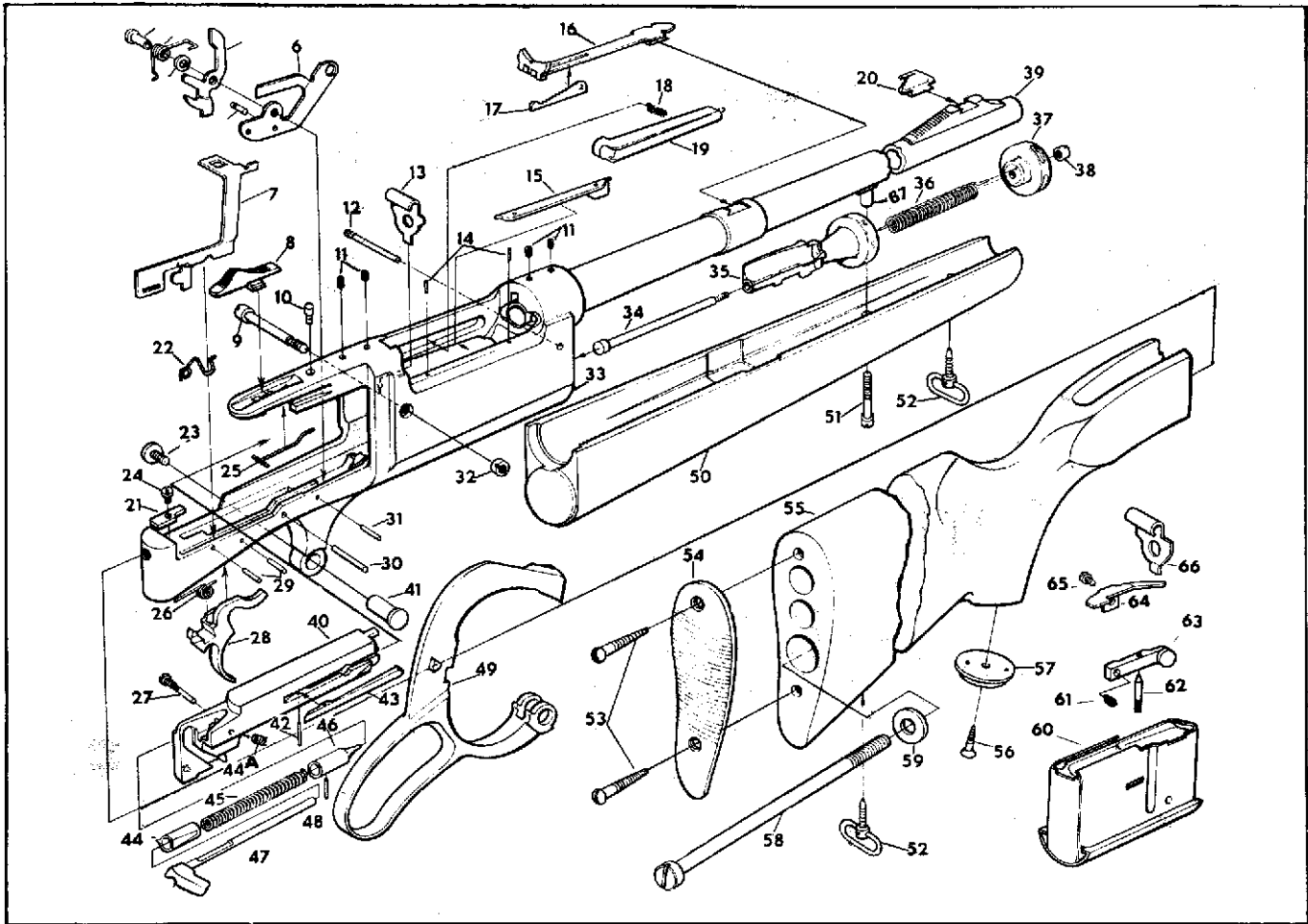


# Savage Models 99C, DL(M), E, F, DE, PE and Series A Repeating Lever Action Rifles, Serial No. Above 1,000,000



WHEN ORDERING PARTS, IT IS NECESSARY TO SPECIFY MODEL NUMBER AND SERIES, CALIBER AND SERIAL NUMBER.

Key No.	Part No.	Part Name	Key No.	Part No.	Part Name	Key No.	Part No.	Part Name
<b>PARTS COMMON TO MOST MODELS ARE LISTED BELOW. EXCEPTIONS FOLLOW GENERAL LISTING.</b>								
6	**A99-652	Sear Bracket Assembly	39	**99-1	Barrel	<b>PARTS FOR MODEL 99E ONLY</b>		
7	**99-645	Safety Slide	40	**99H-25	Breech Bolt	†99-107		Hammer
8	99-193	Safety Button	†**A99B-25		Breech Bolt Assembly	†A99-107		Hammer Assembly
9	99H-441	Sear Screw	41	A99-417	Lever Bushing	†A99-432		Lever Lock
10	99A-426	Hammer Indicator	42	99-65	Extractor Pin	199-431		Lever Lock Pin
11	99R-289	Dummy Screw	43	99-59	Extractor	199-433		Lever Lock Tension Spring
12	99-437	Carrier Spindle Head Screw	44	99-424	Hammer Bushing	199-166		Mainspring
13	99H-576	Carrier Spindle Support	44A	99-429	Hammer Retractor Spring	199-205		Sear
14	99-415	Cartridge Guide Pin	45	99A-166	Mainspring	199-279		Trigger
15	99H-414	Cartridge Guide	46	99-77	Firing Pin	199-284		Trigger Spring
16	340C-229	Rear Sight	47	99A-107	Hammer	†99-444		Trigger Spring Screw
†99F-229		Rear Sight (Folding Leaf)	†A99A-107		Hammer Assembly	199E-4		Fore-end
17	99F-233	Rear Sight Step	48	99-396	Firing Pin Securing Pin	†87-218		Front Sight
18	515-278	Automatic Cut-off Spring	49	**99A-416	Lever	†3-229		Rear Sight
19	99H-410	Automatic Cut-off	50	99F-4	Fore-end	†3-233		Rear Sight Step
20	99-218	Front Sight	51	99R-421	Fore-end Screw	†A99E-3		Stock
21	99H-412	Breech Bolt Stop	52	99A-345	Swivel Screw	<b>PARTS FOR MODEL 99DL (M) ONLY</b>		
22	99-647	Safety Slide Spring	53	94-32	Butt Plate Screw	†A99M-3		Stock
23	99-419	Lever Bushing Screw	54	110-5	Butt Plate	†99M-4		Fore-end
24	99-444	Breech Bolt Stop Screw	55	†99F-3	Stock	†99M-421		Fore-end Screw
25	99A-428	Hammer Indicator Spring	56	99-423	Pistol Grip Cap Screw	<b>PARTS FOR MODELS 99C, E, SERIES A ONLY</b>		
26	99A-284	Trigger Spring	57	99-422	Pistol Grip Cap	†A110J-219		Front Sight Assembly with Screws
27	99-425	Hammer Bushing Screw	58	940-252	Stock Bolt	†110-229		Rear Sight
28	**99B-279	Trigger	59	94-253	Stock Bolt Washer	199E-421		Foreend Screw
29	99-648	Safety Slide Stop Pin	<b>PARTS FOR MODEL 99C ONLY</b>			1775-5		Butt Plate
30	99-285	Trigger Pin	60	A99C-142	Magazine Assembly (Specify caliber)	<b>PARTS FOR MODEL 99E, SERIES A ONLY</b>		
31	99-653	Sear Bracket Pin	61	99C-486	Magazine Latch Spring	†A99-25		Breech Bolt Assembly
32	99-442	Sear Screw Nut	62	99C-484	Magazine Latch Pin	**†99E-416		Lever
33	*99-2	Receiver	63	99C-495	Magazine Latch	†170-219		Front Sight
34	99H-435	Carrier Spindle	64	99C-53	Ejector	†325-226		Front Sight Screw, Long
35	99F-434	Carrier (Specify caliber)	65	99C-292	Ejector Screw			
†A99F-434		Carrier Assembly (Specify caliber)	66	99C-76	Filler Block			
36	99-30	Carrier Spring	67	99-11	Barrel Stud			
37	99-436	Carrier Spindle Head						
38	99-438	Carrier Spindle Nut						

Prices of Stocks and/or Fore-ends for Models 99 DE and 99 PE will be quoted on application.

†Parts are not illustrated.

\*Sold for factory installation only. Complete firearm to be returned to factory.

\*\*Restricted part. Sold only to Savage Recommended gunsmiths who have executed an agreement with us. Otherwise, for factory installation only.